

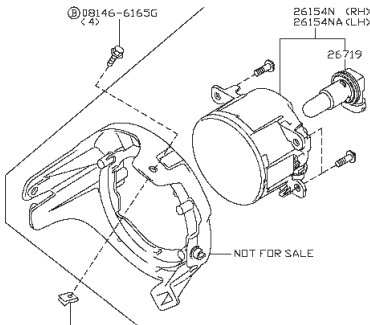
Factory Fit Fog Lamp Kits for Nissan Frontier 2005~

# X-NS445OE

05-08 Frontier (Plastic Bumper)  
05-12 Pathfinder



LH: NI2592120 {26150-EA500 > 26150-EA525}  
RH: NI2593120 {26155-EA500 > 26155-EA525}

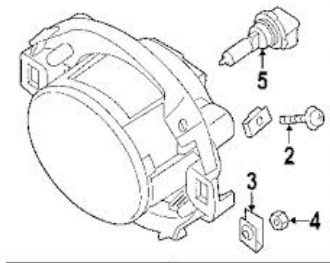


# FG-NSFR09P

09-14 Frontier (Plastic Bumper)  
05-14 Xterra



LH/RH: NI2590102 {26150-EA000 > 26150-EA025}



# FG-NSFR05M

05-14 Frontier (Metal Bumper)



LH: NI2592121 {26155EA825}  
RH: NI2593121 {26150EA825}

